

Best Friend Mobility



Owner's Manual

For XL-Size Wheelchair (100-175 lbs)



Best Friend Mobility



7335 Royal Harbour, Oolteweh, TN 37363
Phone: (423) 299-8503 • Fax: (423) 443-4329

Best Friend Mobility® Rehabilitation Aids

Dear Pet Owner and Valued Customer:

The following guidelines, along with the attached assembly and fitting instructions, will assist you in gaining the best use of your dog wheelchair.

If your pet is fully NON-weight bearing on his/her hind legs, we recommend gradually conditioning your pet to his/her wheelchair before prolonged periods of exercise are attempted. It will take about 2-weeks for your pet to become strong enough in the front legs to compensate for the non-weight bearing in his/her new chair. We suggest starting your pet with ten minutes of exercise, walking over hard surface. Using a leash, attached in a normal fashion to your pet's collar or to the front harness is advised. Repeat twice daily for the first few days, then increase to three times a day.

Once this amount of exercise is well tolerated, the amount of time can be extended to match your pet's stamina.

For pets that are coming back to walking on their own, we recommend daily use of their cart in order to get adequate exercise. This will NOT prevent them from walking but rather encourage them to do so.

DO NOT LEAVE YOUR PET ALONE IN THE CART

If you have any questions please call us on the number provided in this manual. We also enjoy receiving pictures or a video of your pet in his/her wheelchair for our reference and also fitting evaluation. Photos should be taken from the side, rear, and looking down from above. These photos will help us to assist you in making all adjustments needed to ensure that your pet will gain the most benefit from its new mobility.

We realize that both you and your pet are unfamiliar with using a dog wheelchair, so do not hesitate to contact us for help.

Thank you for purchasing a Best Friend Mobility® dog wheelchair. We love receiving feedback, stories, photos and videos of how your pet is doing in his/her new wheelchair.

Sincerely,

Tim Cantrell - Vice President

Phone: (423) 299-8503 • Fax: (423) 443-4329

Table of Contents

Best Friend Mobility



Section 1:	Product Information	p.01
Section 2:	How To Measure	p.02
Section 3:	Parts List	p.03
Section 4:	Parts Identification	p.04
Section 5:	Frame Assembly	p.05
Section 6:	Wheel Assembly	p.06
Section 7:	Wheelchair Use	p.07
Section 8:	Care & Maintenance	p.08
Section 9:	Fitting The Dog	p.09
Section 10:	Troubleshooting	p.11



Section 1: Product Information

This Best Friend Mobility® is made to fit any dog from 100-175lbs

The widest width of Best Friend Mobility® (with wheels) is 21".

Best Friend Mobility® measurements are length 29" - 32.25" (adjustable), width (ID) 10.5", height 17.5" without wheels and 21.5" with wheels.

It will adjust in height about +/-5" tall, and about 3" in length. It will not adjust in width or saddle (width measurement from top, or thigh measurement).

It has 14" all-terrain wheels, padded shoulder support, triple thronged neoprene adjustable shoulder harness, and double rear leg EVO neoprene harness. It has a fixed, padded seat for comfort. The dog can still go to the bathroom comfortably in this rear harness.

There are also rear leg straps if your pet has completely lost the use of his or her rear legs.

Lightweight and non-corroding aluminum, very light and rugged. Adjusts with a hex wrench.

Easy clip on harness

Specs:

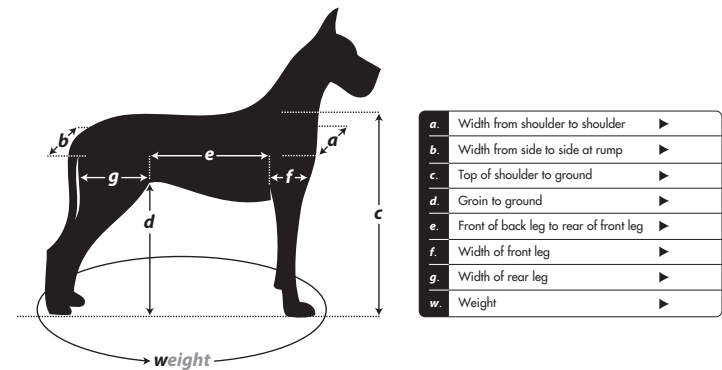
- Lightweight adjustable aluminum frame (non-rust)
- Non-rust galvanized hardware (only 2 bolts required)
- Deluxe neoprene front and rear harness for complete comfort
- Designed and tested by K9 Orthopaedic surgeon
- Easy to adjust height and length with hex wrench
- Pet can use the cart for assisted walking or full rear leg support with no rear leg weight bearing
- Allows pet to use the bathroom while in cart
- All terrain pneumatic wheels with sealed bearings
- Easy clip on function of the rear and front harness



Section 2: How To Measure

The chart below represents average dimensions for dogs that can use Best Friend Mobility®. If your dog is close to these dimensions give or take a few inches then the Best Friend Mobility® should fit fine.

Measuring Your Dog for the Best Friend Mobility®



Tips for Measuring Your Dog:

- Measure your dog in an upright & natural standing position. Keep dog's body level while measuring precisely and accurately. Get a second person to help if steadying the dog is needed.
- Measurements of parts 'a' & 'b' should be straight across. Do not measure on a curve, as this will alter the actual measurements.
- Your veterinarian may be able to assist you, especially in weighing your dog.

Best Friend Mobility® is good for:

- Hip Dysplasia
- Arthritis
- Rehabilitation
- Nuerological problems like osteomyelitis or degenerative myelopathy
- Fractured spine/back
- Rear limb amputee
- Ligamentous injury like PCL or ACL
- Thoracic or Lumbar disc injury
- Any other condition that results in rear leg pain or weakness

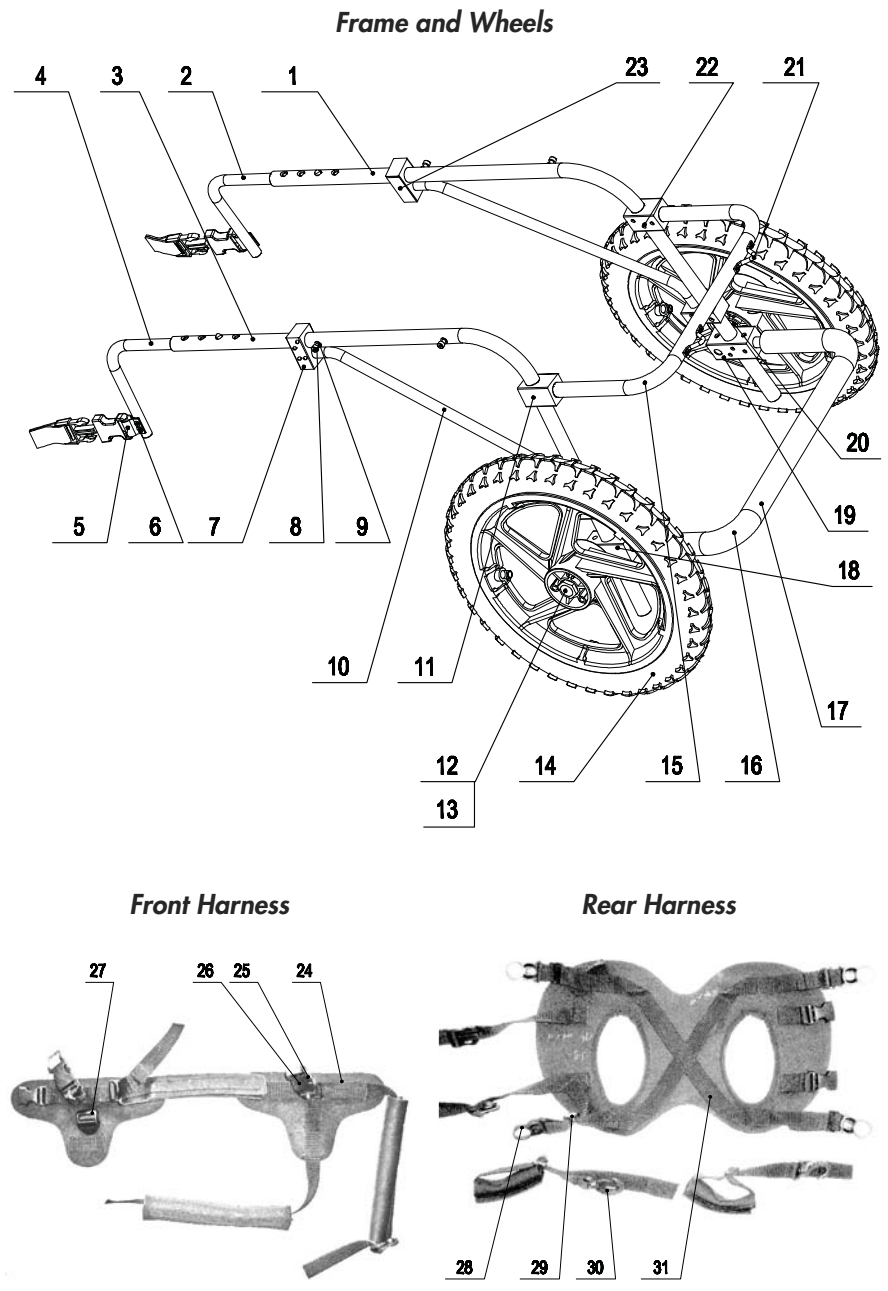


Section 3: Parts List

- | | | | |
|---|---|--|-------------------------------------|
| | | | |
| 1 - DC01A
Left Sidearm x1 | 9 - Washers x8 | 17 - Lower Rear Crossbar x1 | 25 - Front Harness Male Clips x5 |
| | | | |
| 2 - DC02A
Left Front Harness Bar x1 | 10 - DC04
Frame Supports x2 | 18 - DC06B
Left Wheel Connector x1 | 26 - Front Harness Female Clips x5 |
| | | | |
| 3 - DC01B
Right Sidearm x1 | 11 - DC08
Upper Crossbar Connectors x2 | 19 - DC06A
Right Wheel Connector x1 | 27 - Front Harness Strap Buckles x2 |
| | | | |
| 4 - DC02B
Right Front Harness Bar x2 | 12 - Wheel Bolts x2 | 20 - Wheel Spacers x2 | 28 - Rear Harness O-rings x4 |
| | | | |
| 5 - DC09
Clip Connectors x4 | 13 - Wheel Washers x2 | 21 - DC10
Rear Harness Support x2 | 29 - O-connectors x6 |
| | | | |
| 6 - Clip Connector Screws x4 | 14 - Wheels x2 | 22 - Connector Block Screws x24 | 30 - Rear Harness Lobster Clip x2 |
| | | | |
| 7 - DC07
Frame Connectors x4 | 15 - DC03
Upper Rear Crossbar x1 | 23 - Self-stick Foam Pads x4 | 31 - DC12
Rear Harness x1 |
| | | | |
| 8 - Sidearm Bolts x4 | 16 - DC05
Lower Rear Crossbar x1 | 24 - DC11
Front Harness x1 | |

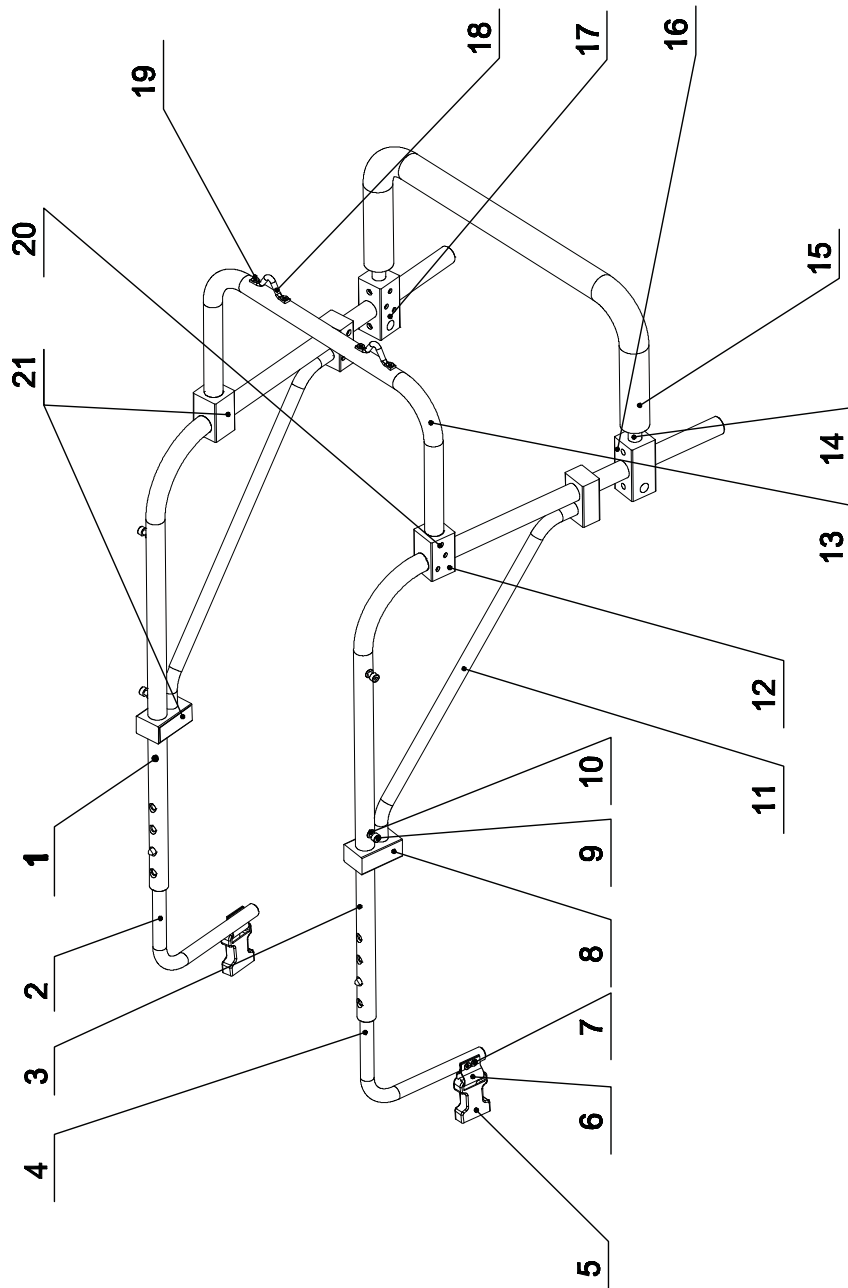


Section 4: Parts Identification



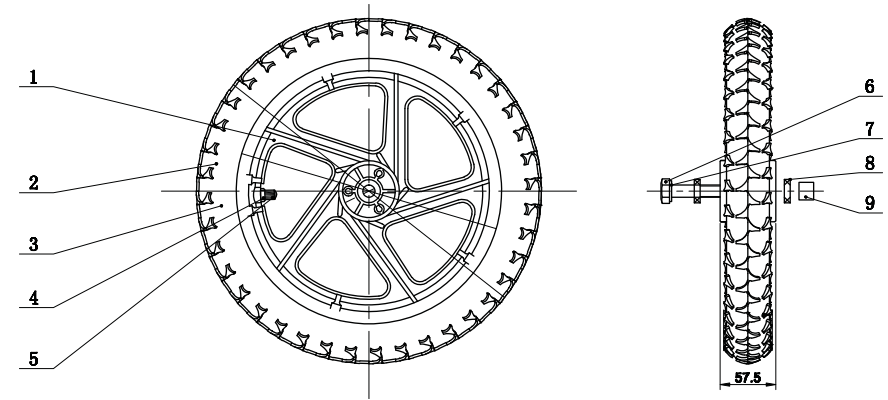


Section 5: Frame Assembly



Section 6: Wheel Assembly

One bolt assembly.



Frame & Wheel Parts



Frame Parts:

1. DC01A Left Sidearm
2. DC02A Left Front Harness Bar
3. DC01B Right Sidearm
4. DC02B Right Front Harness Bar
5. Front Harness Female Clips
6. DC09 Clip Connectors
7. Clip Connector Screws
8. DC07 Frame Connectors
9. Sidearm Bolts
10. Washers
11. DC04 Frame Supports
12. DC08 Upper Crossbar Connectors
13. DC03 Upper Rear Crossbar
14. SFT Connector
15. DC05 Lower Rear Crossbar
16. DC06A Right Wheel Connector
17. DC06B Left Wheel Connector
18. DC10 Rear Harness Support

Wheel Parts:

1. Wheel
2. Treads
3. Tire
4. Valve
5. Valve Cap
6. Bolt Head
7. Wheel Bolt
8. Washer
9. Nut



Section 7: Wheelchair Use

If your dog is completely non-weight bearing on the hind legs and will be using the leg straps, then it is normal for the front legs to require some strengthening time for compensation of the rear legs and full comfortable use of the Best Friend Mobility® wheelchair. Please allow about 2-weeks for full strengthening of the front limbs; you can strength train your dog with partial weight bearing assist using a leash connected to the front harness.

Is your dog too weak to stay on his front legs while in the Best Friend Mobility®, from being overweight or being inactive? You may need to attach a leash to the front harness to help support his weight until your pet gets conditioned.

If your dog's front legs do not get strong enough within a few short weeks, he may need something other than what the Best Friend Mobility® can provide. Make sure your dog isn't always trying to lay down or not able to hold his own weight after a couple of weeks. He may even roll backwards, even with continued use. These are all signs that his front legs aren't strong enough to use the Best Friend Mobility®.

However, your dog may initially move backwards instead of forward in the Best Friend Mobility®. This is an unfamiliar situation and your dog is "backing out." Your dog will eventually become comfortable and begin to move forward with some assurance and encouragement.

Get your Best Friend Mobility® wet! Your Best Friend Mobility® is mostly made of aluminum, which will not rust. If you use the Best Friend Mobility® in salt water, rinse it off after use, otherwise, getting the unit wet will not damage it. If you are near a beach, don't forget to rinse off the sand and dirt from moving parts of the Best Friend Mobility®.

If the traction on the wheels of your dog's Best Friend Mobility® are poor, there may be an easy solution. You may want to check the tire pressure, remembering to keep the pressure at slightly below the required PSI. Make the the wheels are also spinning freely.

If the wheels track to one side more than the other, it may simply be how your dog walks naturally. You may notice his walk more due to his new wheelchair, however, he or she will get used to the Best Friend Mobility® and be able to compensate in due time. Also make sure that your dog is centered from side to side and adjust straps if necessary.

Check your dog's weight balance and height to see if the Best Friend Mobility® is suitable for him or her to use (See Section2: How To Measure, p.2).



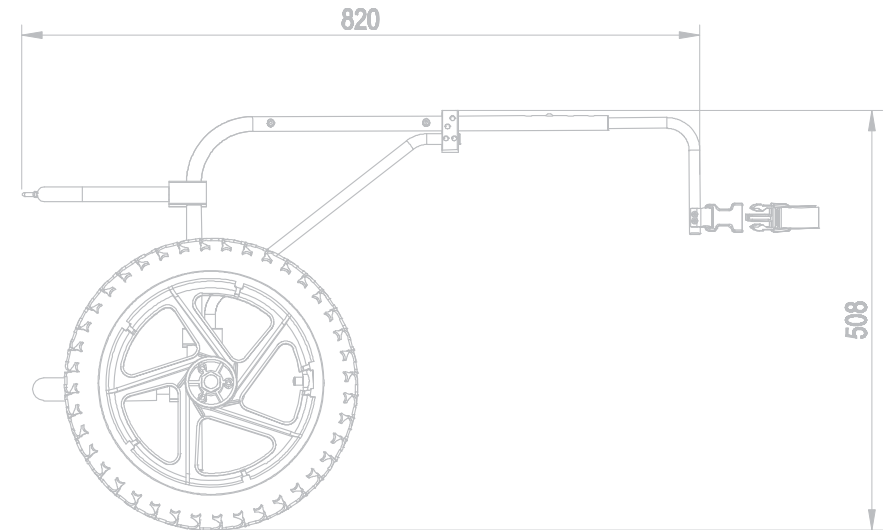
Section 8: Care & Maintenance

Keep your Best Friend Mobility® clean... your dog will surely appreciate it and ride with pride. Wipe down aluminum surfaces with warm soapy water using a soft cloth, such as a microfiber cloth or a cotton rag. Rinse & dry.

Frequently check the tightness of the bolts and screws and retighten if too loose. Adjust straps if they also become too loose.

Remember to hose or wipe down the tires, to keep it from tracking dirt. Check the tire pressure every so often and inflate when needed. To reduce bounce and increase traction, slightly underinflate the tires (from recommended PSI) to make the unit a more comfortable ride. Do not underinflate too much.

Please wash the sling, harness and straps in cool water and hang them to dry. You may want to use a perfume-free detergent so that your pet will not have any skin irritations. You might also want to try some odor neutralizers to get the smell out of the harnesses.





Section 9: Fitting Dog Into Chair.

1. Place front harness on Pet guiding over head/neck and under front legs (adjust for comfort and firmness)



2. Guide rear harness/evo foam cover through dogs hind legs and around his bottom (adjust for comfort and firmness)



3. Bring up cart behind pet



4. Snap front harness into sidebar snaps, and rear harness into rear snaps



5. Adjust lift of rear harness according to pet comfortable weight bearing



6. If pet is non-weight bearing on rear legs, use leg straps and secure on rear fastenings. Be sure rear legs can rest at relaxed angle.



Fitting your dog to the Best Friend Mobility®

The two sidearms of the frame should be a couple of inches above the top and parallel to the dog's back. However, the height may vary depending on your dog's build (Shoulders being lower than the hips). When the position of the harnesses, according to your dog's length, is set properly to the sidearms, the front legs should, in no way, rub against the sidearms while your dog is walking.

The front harness should be placed comfortably behind your dogs front legs and the rear leg slings should be adjusted for a comfortable fit. Do not raise at an angle which is too unnatural for your dog.

Make sure to place the front strap to sit slightly above center of the chest. Do not allow it to press against the throat or rest below the center of the chest as it may be harmful to your pet. Adjust all the straps to be snug but do not overtighten.

Also, check your dog's weight balance and height to see if the Best Friend Mobility® is suitable for him or her to use (See Section2: How To Measure, p.2).



Section 10: Troubleshooting

Adjusting your dog's Best Friend Mobility® and making sure it is a proper fit will allow it to be a safe vehicle for your dog. Avoiding misuse and common errors will allow your dog to quickly start enjoying the use of the Best Friend Mobility®.

Why does the wheelchair tip backwards?

The frame should be a couple of inches above your dog's back. Adjust the front posts.

Make sure the length is proper for your dog. Adjust sidearms and/or straps.

Check your dog's front harness making sure the front strap is centered across his or her chest. Adjust the straps and see if this stop the wheelchair from tipping.

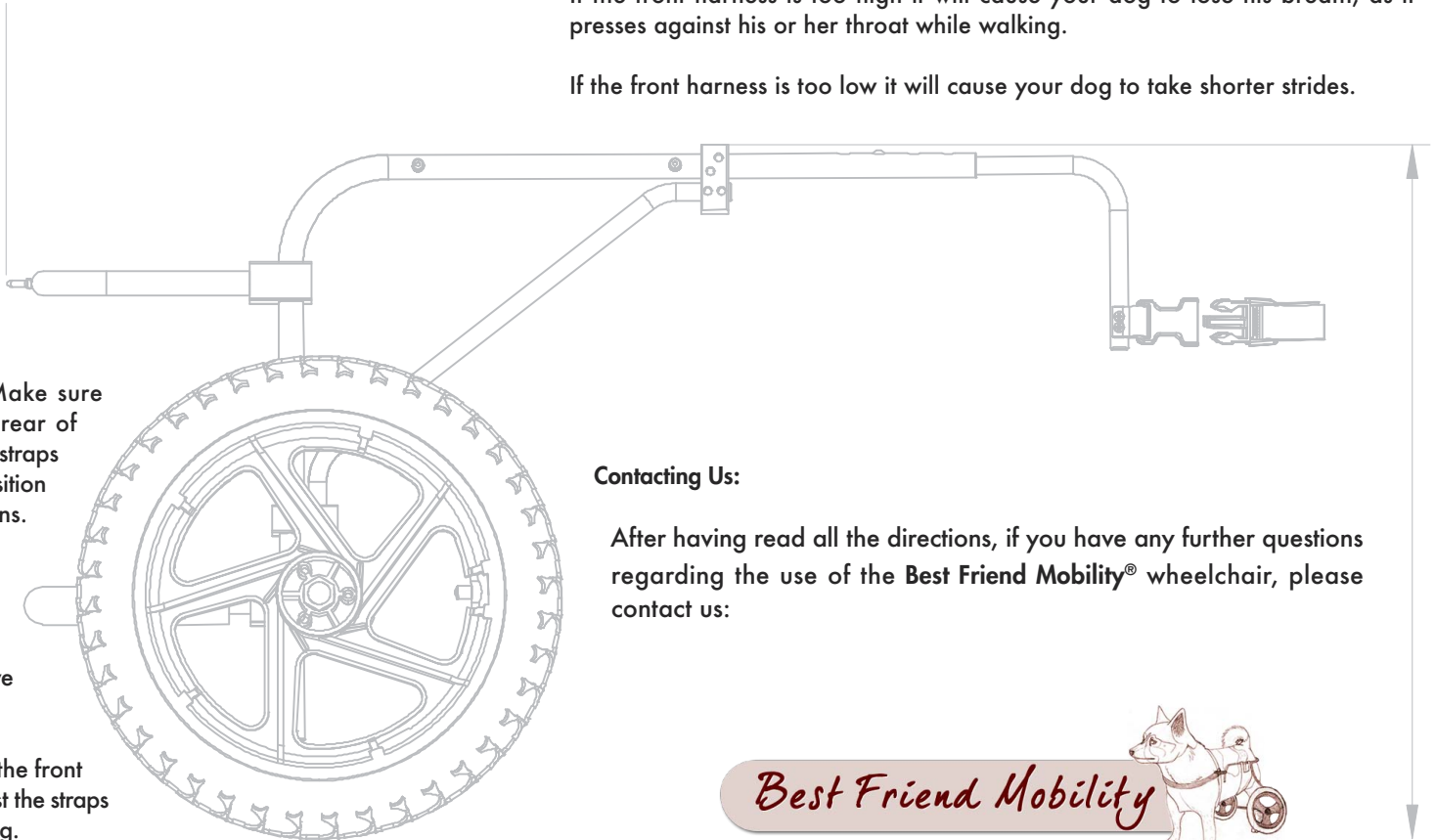
Checking for weight balance is crucial. Make sure the wheel position is adjusted toward the rear of the connector blocks. Make sure all your straps and sidearms are adjusted to the new position accordingly. Keep in mind previous instructions.

Why does the wheelchair tip forwards?

The frame should be a couple of inches above your dog's back. Adjust the front posts.

Check your dog's front harness making sure the front strap is centered across his or her chest. Adjust the straps and see if this stop the wheelchair from tipping.

Checking for weight balance is crucial. Make sure the wheel position is adjusted toward the middle or front of the connector blocks. Make sure all your straps and sidearms are adjusted to the new position accordingly, keeping in mind previous instructions.



Common Problems:

The angle of the rear leg slings are too high and the slings do not extend beyond your dog's rear. Make sure to keep the legs at a comfortable and natural height.

If the front harness is too high it will cause your dog to lose his breath, as it presses against his or her throat while walking.

If the front harness is too low it will cause your dog to take shorter strides.

Contacting Us:

After having read all the directions, if you have any further questions regarding the use of the Best Friend Mobility® wheelchair, please contact us:

Best Friend Mobility



7335 Royal Harbour, Oolteweh, TN 37363
Phone: (423) 299-8503 • Fax: (423) 443-4329